

## REMOVAL

### 1. REMOVE CENTER CLUSTER FINISH PANEL

- (a) Remove the 4 knobs.
- (b) Remove the 2 screws.
- (c) Using a screwdriver, remove the center cluster finish panel.

#### HINT:

Tape the screwdriver tip before use.

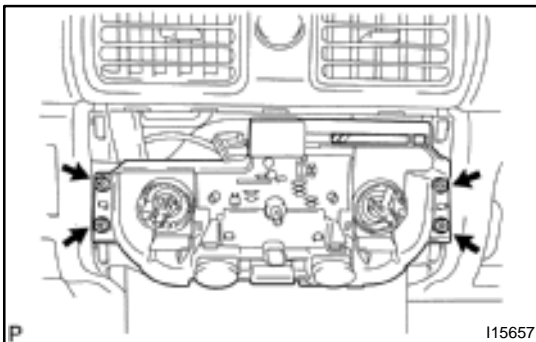
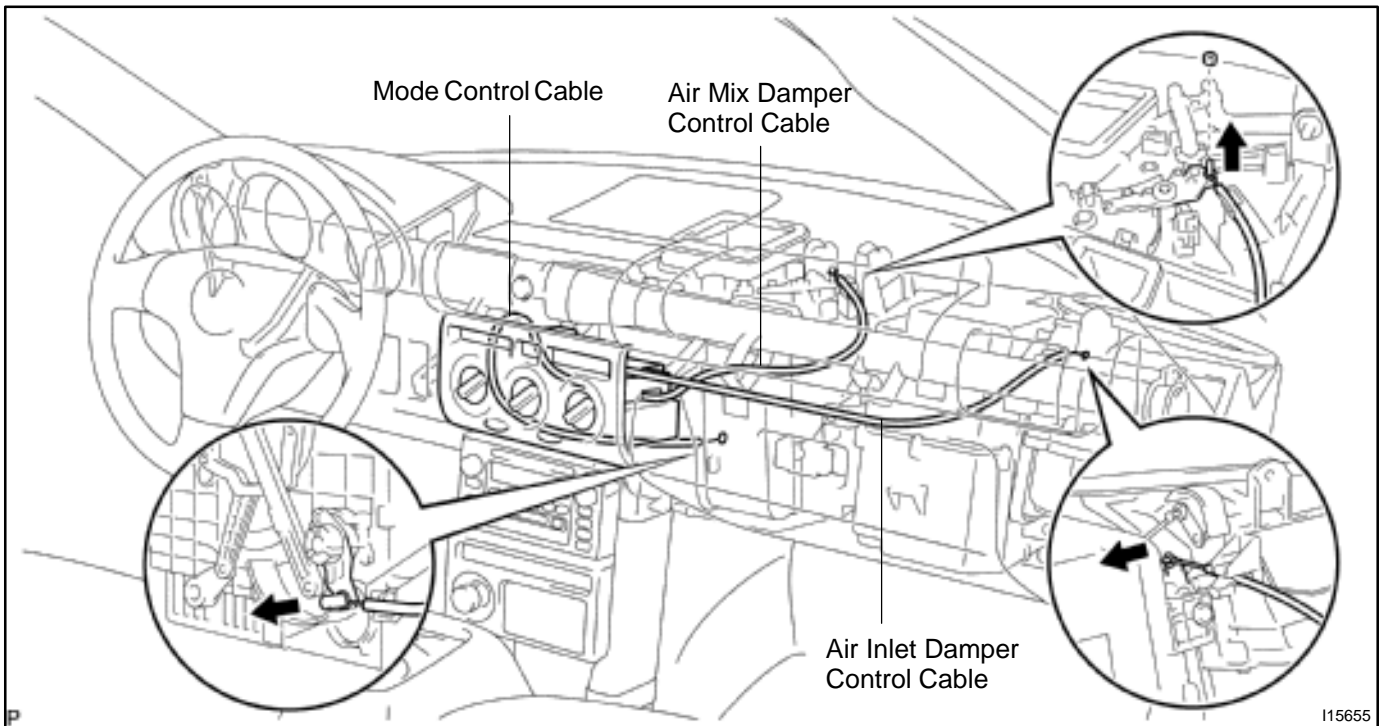
- (d) Disconnect the clock connector from the clock.
- (e) Remove the center cluster finish panel.

### 2. REMOVE GLOVE COMPARTMENT DOOR

### 3. DISCONNECT HEATER CONTROL CABLES

#### NOTICE:

When the cables are disconnected, be careful not to bend the cable.



### 4. REMOVE HEATER CONTROL ASSEMBLY

Remove the 4 screws and control assembly, then disconnect the 2 connectors.